

# Joint Solutions

## GeoLite Knee

The GeoLite Knee is one of the lightest and shortest friction-controlled polycentric knees available on the market today. Targeted towards amputees at lower activity levels (U.S. Activity Levels 1 & 2), the GeoLite Knee shares many of the characteristics found with the GeoFlex Knee. The GeoLite will return to full extension when flexed up to 20 degrees under load — without the use of any mechanical locks. GeoLite wearers comment on feeling completely secure and stable with this knee! The GeoLite Knee can accommodate a hip flexion contracture without losing knee stability. This knee features the same friction-controlled polycentric design as the GeoFlex. It does not include the Stance Flexion feature offered with the GeoFlex, resulting in a lighter knee. Adjustments are easy. The GeoLite Knee has a 4-hole pattern on the proximal end, and is available with either a 4-hole pattern or a 30 mm tube connection at the distal end.



Product No.	Description
GEO-500	GeoLite 30 mm Tube Distal
GEO-600	GeoLite 4-Hole Distal

- U.S. Activity Levels 1 & 2
- Friction Controlled Polycentric Design
- Accommodates Hip Flexion Contracture
- Two Distal Connection Options

### SPECIFICATIONS

<b>PATIENT WEIGHT LIMIT</b>	250 lbs/115 kg*
<b>U.S. L-CODE SUGGESTION</b>	5611, 5850
<b>U.S. WARRANTY</b>	If a knee is returned to Ohio Willow Wood for repair within the one-year warranty period, a loaner will be supplied during the time of repair service. If a knee is returned outside the warranty period, a loaner will be available for a nominal fee and service quotes will be given prior to repair.

\* Body weight plus any loads normally and routinely carried cannot exceed this weight limit.

## GeoLite Accessories



The GeoLite Knee comes with a dust cover and an elastic extension assist. Replacement parts can be purchased separately.

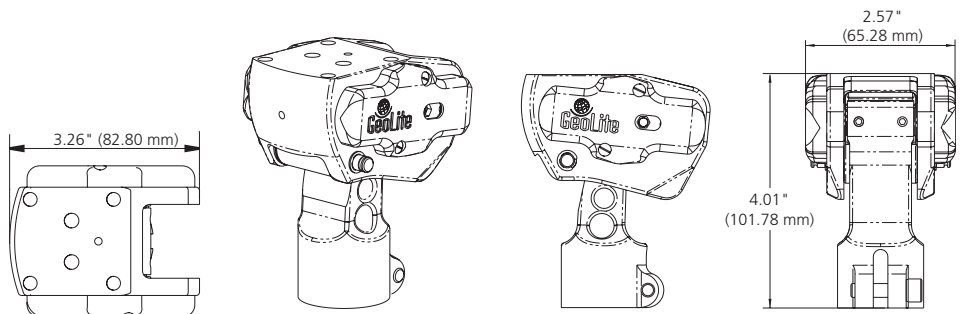
Product No.	Description
1. GEO-021	Elastic Extension Assist
2. GEO-022	Dust Cover
3. GEO-025	GeoFlex Threaded Clamp Adapter
4. GEO-034	Extension Assist Tube Clamp
Not Pictured:	
GEO-030	Rail Bearing Repair Kit
GEO-031	Rail Pin Assembly, Detent Cap Kit
GEO-032	4-Hole Threaded Adapter
FND-268002	Stainless Steel AK Rotatable 3-Prong Base

# Joint Solutions

## Geo-500

**WEIGHT:** 468 g

Proximal  
4-Hole Pattern  
with Distal  
Tube Clamp



## Geo-600

**WEIGHT:** 462 g

Proximal  
4-Hole Pattern  
with Distal  
4-Hole Pattern

